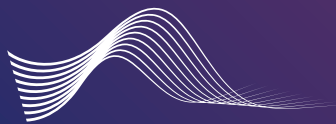


# Audimute® Acoustic Ceiling Clouds



AUDIMUTE™  
sound management solutions



# FABRIC ACOUSTIC CEILING CLOUDS

# FABRIC ACOUSTIC CEILING CLOUDS

Maintain your space's décor while improving the sound quality from above with Acoustic Clouds.

The perfect solution for spaces with limited wall space or sound reflecting off a ceiling. Choose from our high-quality fabric wrapped clouds or our image printed on acoustical fabric clouds. Audimute Acoustic Ceiling Clouds are lightweight and create a modern appearance combined with noise reduction and reverberation control.

Choose from square and rectangle sizes from 2'x2' to 4'x4', or 5 shapes in 2', 3', and 4' sizes from our Fabric Accent Acoustic Clouds offerings. Custom sizes, shapes, and cover materials are available upon request. See pages 18-23 to view the different size and shape options.



# FABRIC ACOUSTIC CEILING CLOUDS: SPECIFICATIONS

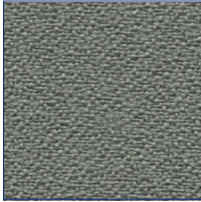
<b>CONTENT</b>	Acoustic substrate: P.E.T. 10% - 30%, Recycled Cotton 70% - 90% Fabric: Recycled polyester Rigid Substrate: beBond ACP, Steel Perforated Angle (3'x4' and Larger, except 4' Triangles)
<b>COMPONENTS</b>	3'x3' and Smaller (+ 4' Triangles): Acoustic Substrate, Rigid Substrate, Eye Hooks, & Fabric 3'x4' and Larger: Acoustic Substrate, Rigid Substrate, Steel Perforated Angles, Self-Tapping Screws, & Fabric
<b>THICKNESS</b>	3'x3' and Smaller (+ 4' Triangles): 2.375" Total: 1-1/2" Acoustic Substrate, 1/4" Rigid Substrate, 5/8" Eye Hooks screwed in. 3'x4' and Larger: 3.25" Total: 1-1/2" Acoustic Substrate, 1/4" Rigid Substrate, 1-1/2" Steel Perforated Angle.
<b>THICKNESS TOLERANCE</b>	+ -1/4"
<b>SIZES &amp; WEIGHTS</b>	2'x2' (4 lb), 2'x3' (6.5 lb), 2'x4' (8 lb), 3'x3' (8.75 lb), 3'x4' (16.5 lb), 4'x4' (22 lb) Hexagon: 20.75"x24" (2') (4 lb), 31.125"x36" (3') (8.75 lb), 41.5"x48" (4') (22 lb) Right Triangle: 24"x24"x34" (2') (2 lb), 36"x36"x51" (3') (4.5 lb), 48"x48"x67.96" (4') (7.5 lb) Triangle: 2'x2' (2') (1 lb), 3'x3' (3') (3 lb), 4'x4' (4') (5 lb)
<b>FINISH OPTIONS</b>	Fabric, Image printed on fabric
<b>EDGE STYLE</b>	Straight
<b>APPLICATION</b>	Indoor Ceiling
<b>INSTALLATION</b>	3'x3' and Smaller (+ 4' Triangles): Eye Hooks (included), Cable (not included) 3'x4' and Larger: Self-Tapping Screws, Steel Perforated Angles, Cable (not included)
<b>HANDLING / CARE</b>	When handling Acoustic Clouds make sure hands are clean and oil free. Vacuuming or light brushing is recommended to prevent dust and soil buildup
<b>STORAGE</b>	Acoustic Clouds must be stored in a dry place. Delivery Packaging is not ideal for storage purposes. It is advised to place a polyethylene cover over the stack when packaging is removed, to reduce moisture absorption. It is recommended that clouds be stored horizontally. It is recommended that clouds should not be stacked. It is strongly recommended to avoid storage longer than 6 months. Do not allow water to come into direct contact with the material during storage. Store in a cool dry space 55°F - 85°F.
<b>FIRE RATING</b>	ASTM E84 Class A.
<b>COLOR FASTNESS TO LIGHT</b>	Grade 4 min. at 40 hours
<b>COLOR FASTNESS TO CROCK</b>	Grade 4 min. dry & Grade 3 min. wet
<b>ACOUSTIC RATING</b>	NRC: 0.95

# FABRIC ACOUSTIC CEILING CLOUDS: ANCHORAGE FABRICS

Create your own distinctive space with our Anchorage line of fabrics from Guilford of Maine.



White



Asteroid



Graphite



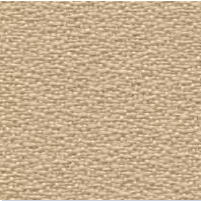
Onyx



Coffee Bean



Vanilla



Birch



Fern



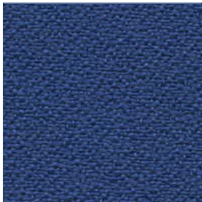
Green Apple



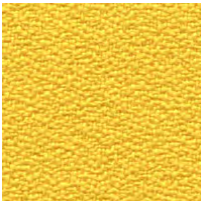
Waterfall



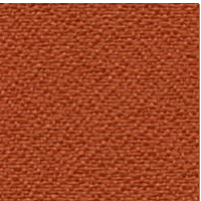
Quarry Blue



Lapis



Lemon



Pumpkin



Geranium



Orchid

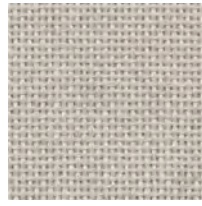
# FABRIC ACOUSTIC CEILING CLOUDS: FR701 & SYNOPSIS FABRICS

The FR701 & Synopsis fabrics from Guilford of Maine are bleach-cleanable.

## FR701 FABRICS:



Eggshell



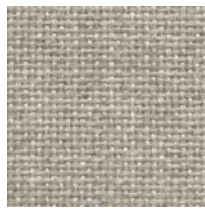
Pearl



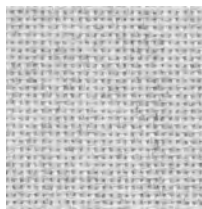
Quartz



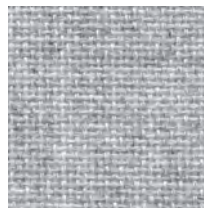
Opal



Cement Mix



Silver Papier



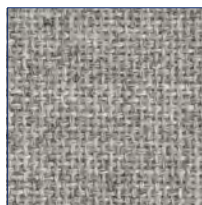
Blue Papier



Wedgewood



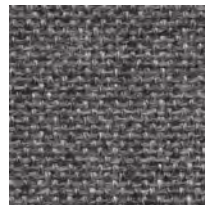
Silver Neutral



Grey Mix



Flannel



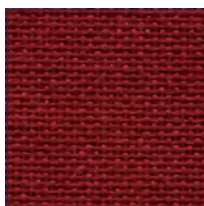
Medium Grey



Chartreuse



Sapphire



Red

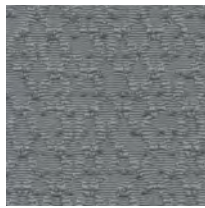


Black

# FABRIC ACOUSTIC CEILING CLOUDS: FR701 & SYNOPSIS FABRICS

The FR701 & Synopsis fabrics from Guilford of Maine are bleach-cleanable.

## SYNOPSIS FABRICS:



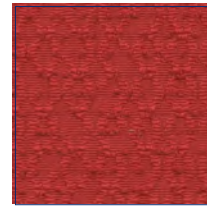
Ash



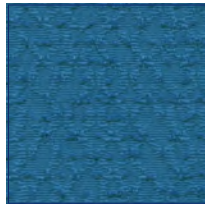
Taupe



Bisque



Poppy



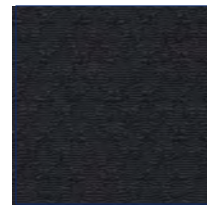
Cerulean



Blue Marine



Flannel



Ebony



ACOUSTICOLOR®  
ACOUSTIC CEILING CLOUDS



# ACOUSTICOLOR® ACOUSTIC CEILING CLOUDS

---

**AcoustiColor Acoustic Ceiling Clouds provide exceptional acoustical control.**

AcoustiColor Acoustic Ceiling Clouds are lightweight and create a modern appearance combined with noise reduction and reverberation control. Stylish lines and soft shapes suspend horizontally from the ceiling and absorb sound across their entire surface for unequaled acoustical performance.

Add exceptional sound absorption, superior aesthetics, and design flexibility that reflects your individual personality and style with AcoustiColor Acoustic Ceiling Clouds.

Choose from square and rectangle sizes from 2'x2' to 4'x4', or 10 shapes in 2', 3', and 4' sizes from our AcoustiColor Accent Acoustic Clouds offering. Custom sizes, shapes, and cover materials are available upon request. See pages 18-23 to view the different size and shape options.



# ACOUSTICOLOR® ACOUSTIC CEILING CLOUDS: SPECIFICATIONS

<b>CONTENT</b>	Acoustic substrate: P.E.T. 10% - 30%, Recycled Cotton 70% - 90% Rigid Substrate: beBond ACP, Steel Perforated Angles (3'x4' and Larger)
<b>COMPONENTS</b>	3'x3' and Smaller: Acoustic Substrate, Rigid Substrate, & Eye Hooks 3'x4' and Larger: Acoustic Substrate, Rigid Substrate, Steel Perforated Angles, & Self-Tapping Screws
<b>THICKNESS</b>	3'x3' and Smaller: 2.375" Total: 1-1/2" Acoustic Substrate, 1/4" Rigid Substrate, 5/8" Eye Hooks screwed in. 3'x4' and Larger: 3.25" Total: 1-1/2" Acoustic Substrate, 1/4" Rigid Substrate, 1-1/2" Steel Perforated Angle.
<b>THICKNESS TOLERANCE</b>	+ -1/4"
<b>SIZES &amp; WEIGHTS</b>	2'x2' (4 lb), 2'x3' (6.5 lb), 2'x4' (8 lb), 3'x3' (8.75 lb), 3'x4' (16.5 lb), 4'x4' (22 lb) Hexagon: 20.75"x24" (2') (4 lb), 31.125"x36" (3') (8.75 lb), 41.5"x48" (4') (22 lb) Oval: 18"x24" (2') (4 lb), 27"x36" (3') (8.75 lb), 36"x48" (4') (22 lb) Right Triangle: 24"x24"x34" (2') (2 lb), 36"x36"x51" (3') (4.5 lb), 48"x48"x67.96" (4') (7.5 lb) Triangle: 2'x2' (2') (1 lb), 3'x3' (3') (3 lb), 4'x4' (4') (5 lb)
<b>FINISH OPTIONS</b>	AcoustiColor Coating
<b>EDGE STYLE</b>	Straight
<b>APPLICATION</b>	Indoor Ceiling
<b>INSTALLATION</b>	3'x3' and Smaller: Eye Hooks (included), Cable (not included) 3'x4' and Larger: Self-Tapping Screws, Steel Perforated Angles, Cable (not included)
<b>HANDLING / CARE</b>	When handling AcoustiColor Clouds make sure hands are clean and oil free. Vacuuming or light brushing is recommended to prevent dust and soil buildup.
<b>STORAGE</b>	AcoustiColor Clouds must be stored in a dry place. Delivery Packaging is not ideal for storage purposes. It is advised to place a polyethylene cover over the stack when packaging is removed, to reduce moisture absorption. It is recommended that clouds be stored horizontally. It is recommended that clouds should not be stacked. It is strongly recommended to avoid storage longer than 6 months. Do not allow water to come into direct contact with the material during storage. Store in a cool, dry space 55°F - 85°F.
<b>FIRE RATING</b>	ASTM E84 Class A.
<b>COLOR FASTNESS TO LIGHT</b>	Grade 4 min. at 40 hours
<b>COLOR FASTNESS TO CROCK</b>	Grade 4 min. dry & Grade 3 min. wet
<b>ACOUSTIC RATING</b>	NRC: 0.95

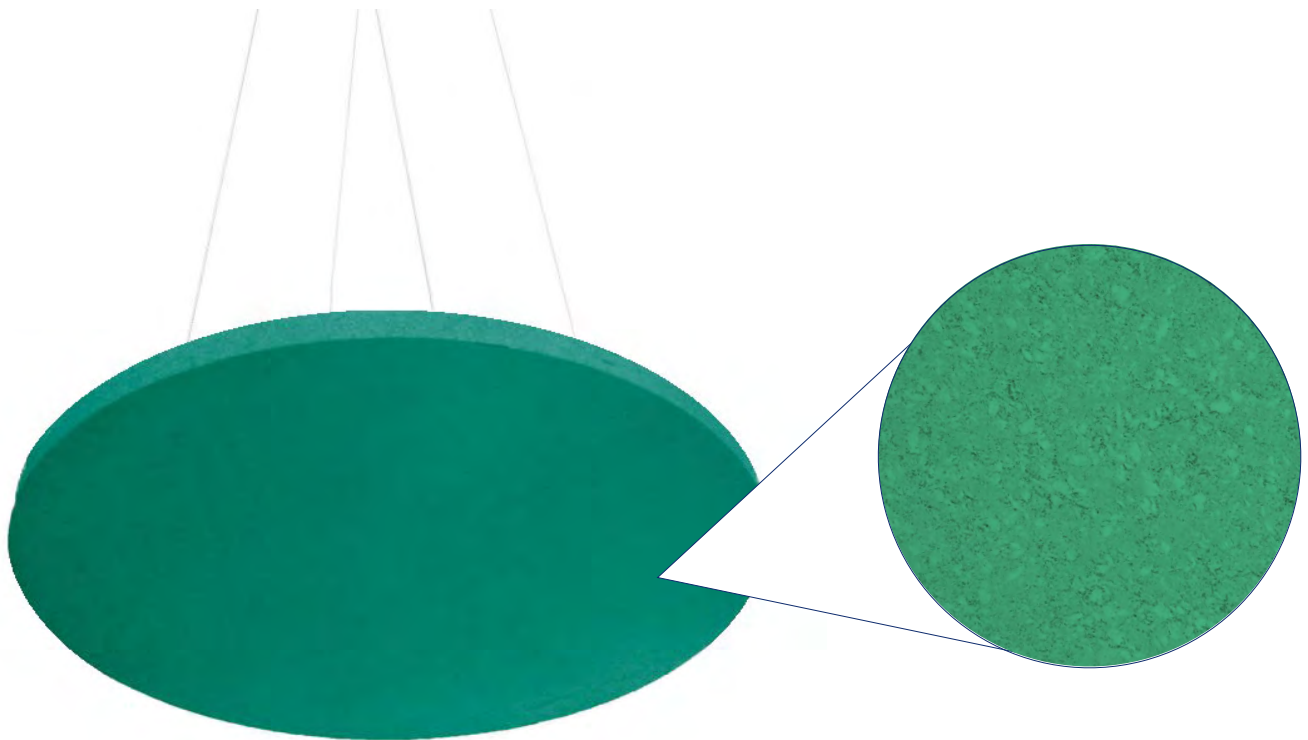
# ACOUSTICOLOR® ACOUSTIC CEILING CLOUDS: COATING OPTIONS

---

## The possibilities are endless.

There are 1,000's of color options to choose from Sherwin-Williams' line of acoustical coatings. We can also match colors from other commercial paint manufacturers. With AcoustiColor Acoustic Clouds you have the opportunity to match the decor of any space. Our coated acoustic panels are made from recycled cotton and paper products which gives a unique textured finish.

**NOTE:** Color matching cannot be guaranteed across shipments from different orders and variation may be more pronounced beyond the normal commercial range.



AcousticColor Acoustic Ceiling Cloud

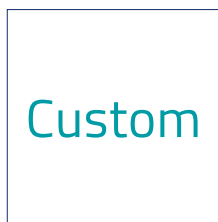
AcoustiColor Swatch Detail

# ACOUSTICOLOR® ACOUSTIC CEILING CLOUDS: COATING OPTIONS

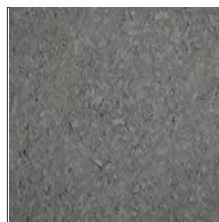
---

Add exceptional sound absorption, superior aesthetics, and design flexibility that reflects your individual personality and style.

AcoustiColor Acoustic Ceiling Clouds are lightweight and create a modern appearance combined with noise reduction and reverberation control. Stylish lines and soft shapes suspend horizontally from the ceiling and absorb sound across their entire surface for unequaled acoustical performance. Because Acoustic Ceiling Clouds are created using recycled materials, natural variations in texture and shading can occur.



Custom Color



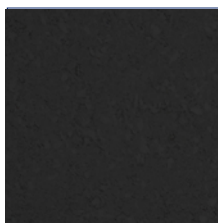
Software



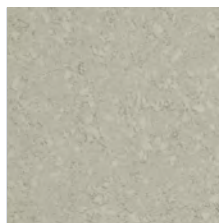
Argos



Stone White



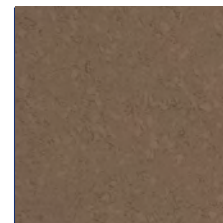
Tricorn Black



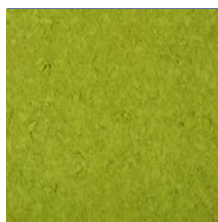
Amazing Gray



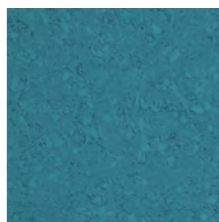
Tavern Taupe



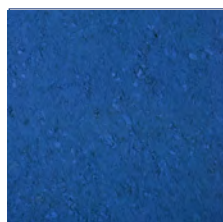
Cobble Brown



Hep Green



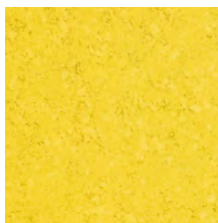
Great Falls



Blue Chip



Organic Green



Daisy



Tango



Redbud



Vigorous Violet



ACOUSTIWOOD®  
ACOUSTIC WOOD  
ALTERNATIVE  
CEILING CLOUDS

# ACOUSTIWOOD® ACOUSTIC WOOD ALTERNATIVE CEILING CLOUDS

**Choose from 24 Standard, 24 Premium, and 30 Exotic Styles for a sound solution that blends in or stands out in your space.**

Audimute's AcoustiWood Acoustic Wood Alternatives are designed to be functional and decorative sound absorption solutions that resemble real wood. The core of AcoustiWood is made from our 100% recycled sound absorption material, eco-C-tex®, and the surface is a graphic printed on acoustical fabric.

- Made in the USA
- Eco-Friendly
- Easy to Install
- Durable
- Effective - 0.95 NRC
- Class A Fire-Rated (ASTM E-84)



# STANDARD STYLES



White Elm



White Maple



Whitewash Oak



Smoky Maple



Charcoal Ash



Midnight Elm



Light Ash



Ivory Ash



Taupe Maple



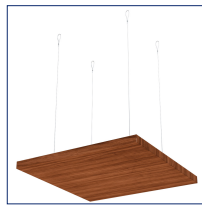
Brown Ash



Stained Pine



Russet Pine



Chestnut



Sanded Cedar



Nutmeg



Brown Walnut



Light Brown Mahogany



Red Mahogany



Dark Brown Mahogany



Dark Elm



Espresso



Mocha Cedar



Dark Walnut



Burnt Oak

# PREMIUM STYLES



Weathered Whitewash



Weathered White Peel



Grey Barnwood



Warm Grey Ash



Aged Barnwood



Grey Haze



Grey Aged Oak



Charcoal



Natural Pear



Earthy Birch



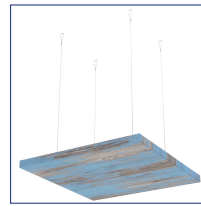
Aged Medium Oak



Aged Dark Oak



Aged Cocoa



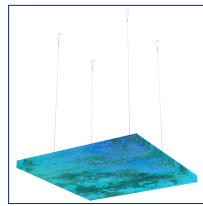
Weathered Blue Peel



Silver Blue Haze Peel



Blue Stain Mahogany



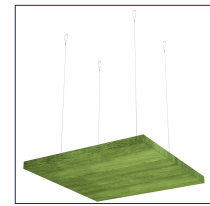
Peeled Turquoise



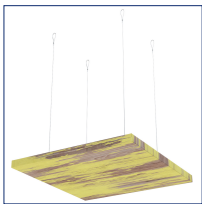
Deep Teal Pine



Sage Green



Kelly Green Birch



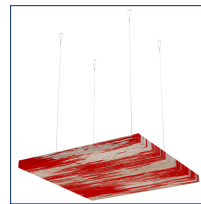
Weathered Yellow Peel



Peeled Beet



Cherry Stained Elm



Weathered Red Peel



# EXOTIC STYLES



Cerused Beech



Cerused Poplar  
Light



Cerused Larch  
Light



Cerused Ash  
Light



Cerused Cypress



Cerused Larch  
Medium



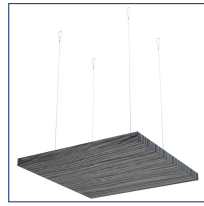
Cerused Oak



Cerused Ash  
Medium



Grey Aged Olive



Grey Zebra



Grey Cerused  
Poplar



Burnt Wood



Cerused Poplar  
Medium



Oiled Rustic Ash



Natural Ebony  
Reconstituted



Acajou Varnished



Heavy Patinated



Natural  
Rhododendron



Cerused  
American Elm



Barkless Tree



Sawn European  
Ash



Aged Olive



Aged Burma  
Padauk



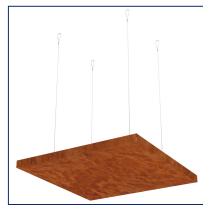
Natural Lacewood  
Vaneer



Aged Red Cedar



Aged Teak



Curly Cherry



Zebra



Wenge



Vavona Burl

# ACOUSTIWOOD® ACOUSTIC CEILING CLOUDS: SPECIFICATIONS

<b>CONTENT</b>	Acoustic substrate: P.E.T. 10% - 30%, Recycled Cotton 70% - 90% Fabric: Recycled polyester Rigid Substrate: beBond ACP, Steel Perforated Angle (3'x4' and Larger, except 4' Triangles)
<b>COMPONENTS</b>	3'x3' and Smaller (+ 4' Triangles): Acoustic Substrate, Rigid Substrate, Eye Hooks, & Fabric 3'x4' and Larger: Acoustic Substrate, Rigid Substrate, Steel Perforated Angles, Self-Tapping Screws, & Fabric
<b>THICKNESS</b>	3'x3' and Smaller (+ 4' Triangles): 2.375" Total: 1-1/2" Acoustic Substrate, 1/4" Rigid Substrate, 5/8" Eye Hooks screwed in. 3'x4' and Larger: 3.25" Total: 1-1/2" Acoustic Substrate, 1/4" Rigid Substrate, 1-1/2" Steel Perforated Angle.
<b>THICKNESS TOLERANCE</b>	+ -1/4"
<b>SIZES &amp; WEIGHTS</b>	2'x2' (4 lb), 2'x3' (6.5 lb), 2'x4' (8 lb), 3'x3' (8.75 lb), 3'x4' (16.5 lb), 4'x4' (22 lb) Hexagon: 20.75"x24" (2') (4 lb), 31.125"x36" (3') (8.75 lb), 41.5"x48" (4') (22 lb) Right Triangle: 24"x24"x34" (2') (2 lb), 36"x36"x51" (3') (4.5 lb), 48"x48"x67.96" (4') (7.5 lb) Triangle: 2'x2' (2') (1 lb), 3'x3' (3') (3 lb), 4'x4' (4') (5 lb)
<b>FINISH OPTIONS</b>	Image printed on fabric
<b>EDGE STYLE</b>	Straight
<b>APPLICATION</b>	Indoor Ceiling
<b>INSTALLATION</b>	3'x3' and Smaller (+ 4' Triangles): Eye Hooks (included), Cable (not included) 3'x4' and Larger: Self-Tapping Screws, Steel Perforated Angles, Cable (not included)
<b>HANDLING / CARE</b>	When handling Acoustic Clouds make sure hands are clean and oil free. Vacuuming or light brushing is recommended to prevent dust and soil buildup
<b>STORAGE</b>	Acoustic Clouds must be stored in a dry place. Delivery Packaging is not ideal for storage purposes. It is advised to place a polyethylene cover over the stack when packaging is removed, to reduce moisture absorption. It is recommended that clouds be stored horizontally. It is recommended that clouds should not be stacked. It is strongly recommended to avoid storage longer than 6 months. Do not allow water to come into direct contact with the material during storage. Store in a cool dry space 55°F - 85°F.
<b>FIRE RATING</b>	ASTM E84 Class A.
<b>COLOR FASTNESS TO LIGHT</b>	Grade 4 min. at 40 hours
<b>COLOR FASTNESS TO CROCK</b>	Grade 4 min. dry & Grade 3 min. wet
<b>ACOUSTIC RATING</b>	NRC: 0.95



**ACOUSTISTONE®  
ACOUSTIC STONE  
ALTERNATIVE  
CEILING CLOUDS**

# ACOUSTISTONE® ACOUSTIC STONE ALTERNATIVE CEILING CLOUDS

Choose from 20 Standard and 24 Premium Styles for a decorative acoustic cloud that is highly effective at improving sound in a space.

Audimute's AcoustiStone Acoustic Stone Alternatives are designed to be functional and decorative sound absorption solutions that resemble real stone. The core of AcoustiStone is made from our 100% recycled sound absorption material, eco-C-tex®, and the surface is a graphic printed on acoustical fabric.

- Made in the USA
- Eco-Friendly
- Easy to Install
- Durable
- Effective - 0.95 NRC
- Class A Fire-Rated (ASTM E-84)



# STANDARD STYLES



Light Stucco



Light Aged  
Painted Concrete



Light Granite



Light Rough  
Concrete



Stained Concrete



Scratched  
Concrete



Painted Speckled  
Stone



Medium Aged  
Painted Concrete



Light Floor  
Concrete



Medium Floor  
Concrete



Light Pitted  
Concrete



Grey Blue Granite



Rough Wall  
Concrete



Grey Stone Wall



Medium Grey  
Concrete



Medium Speckled  
Concrete



Cocoa Concrete



Bronze Patina  
Stone



Dark Rough  
Concrete



Charcoal  
Concrete

# PREMIUM STYLES



White Marble



Macael Marble



Calacatta Marble



Grey Pavonazzetto  
Marble



Speckled White  
Granite



Rebar Concrete



Light Desert  
Cliff Rock



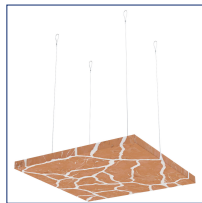
Medium Desert  
Cliff Rock



Etowah Marble



Beige Layered  
Marble



White Veins  
Orange Marble



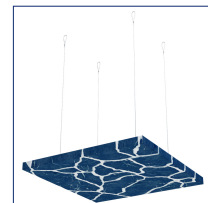
Emperador  
Chocolate Marble



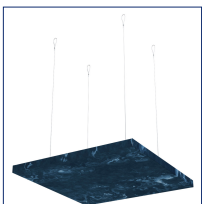
Deep Brown  
Marble



Languedoc  
Marble



White Veins  
Blue Marble



Blue Smooth  
Marble



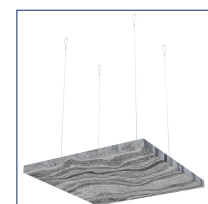
Grey Volga Blue  
Granite



Emperador Mix  
Marble



Green Cipollino  
Marble



Grey Cipollino  
Marble



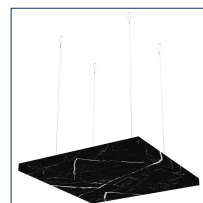
Charcoal Smooth  
Marble



Dark Grey Marble



Midnight Teos  
Marble



Nero Marquina  
Marble

# ACOUSTISTONE® ACOUSTIC CEILING CLOUDS: SPECIFICATIONS

<b>CONTENT</b>	Acoustic substrate: P.E.T. 10% - 30%, Recycled Cotton 70% - 90% Fabric: Recycled polyester Rigid Substrate: beBond ACP, Steel Perforated Angle (3'x4' and Larger, except 4' Triangles)
<b>COMPONENTS</b>	3'x3' and Smaller (+ 4' Triangles): Acoustic Substrate, Rigid Substrate, Eye Hooks, & Fabric 3'x4' and Larger: Acoustic Substrate, Rigid Substrate, Steel Perforated Angles, Self-Tapping Screws, & Fabric
<b>THICKNESS</b>	3'x3' and Smaller (+ 4' Triangles): 2.375" Total: 1-1/2" Acoustic Substrate, 1/4" Rigid Substrate, 5/8" Eye Hooks screwed in. 3'x4' and Larger: 3.25" Total: 1-1/2" Acoustic Substrate, 1/4" Rigid Substrate, 1-1/2" Steel Perforated Angle.
<b>THICKNESS TOLERANCE</b>	+ -1/4"
<b>SIZES &amp; WEIGHTS</b>	2'x2' (4 lb), 2'x3' (6.5 lb), 2'x4' (8 lb), 3'x3' (8.75 lb), 3'x4' (16.5 lb), 4'x4' (22 lb) Hexagon: 20.75"x24" (2') (4 lb), 31.125"x36" (3') (8.75 lb), 41.5"x48" (4') (22 lb) Right Triangle: 24"x24"x34" (2') (2 lb), 36"x36"x51" (3') (4.5 lb), 48"x48"x67.96" (4') (7.5 lb) Triangle: 2'x2' (2') (1 lb), 3'x3' (3') (3 lb), 4'x4' (4') (5 lb)
<b>FINISH OPTIONS</b>	Image printed on fabric
<b>EDGE STYLE</b>	Straight
<b>APPLICATION</b>	Indoor Ceiling
<b>INSTALLATION</b>	3'x3' and Smaller (+ 4' Triangles): Eye Hooks (included), Cable (not included) 3'x4' and Larger: Self-Tapping Screws, Steel Perforated Angles, Cable (not included)
<b>HANDLING / CARE</b>	When handling Acoustic Clouds make sure hands are clean and oil free. Vacuuming or light brushing is recommended to prevent dust and soil buildup
<b>STORAGE</b>	Acoustic Clouds must be stored in a dry place. Delivery Packaging is not ideal for storage purposes. It is advised to place a polyethylene cover over the stack when packaging is removed, to reduce moisture absorption. It is recommended that clouds be stored horizontally. It is recommended that clouds should not be stacked. It is strongly recommended to avoid storage longer than 6 months. Do not allow water to come into direct contact with the material during storage. Store in a cool dry space 55°F - 85°F.
<b>FIRE RATING</b>	ASTM E84 Class A.
<b>COLOR FASTNESS TO LIGHT</b>	Grade 4 min. at 40 hours
<b>COLOR FASTNESS TO CROCK</b>	Grade 4 min. dry & Grade 3 min. wet
<b>ACOUSTIC RATING</b>	NRC: 0.95



# ACOUSTIC CEILING CLOUDS GENERAL SPECS & TESTING



# ACOUSTIC CEILING CLOUDS: SIZES & BACKINGS

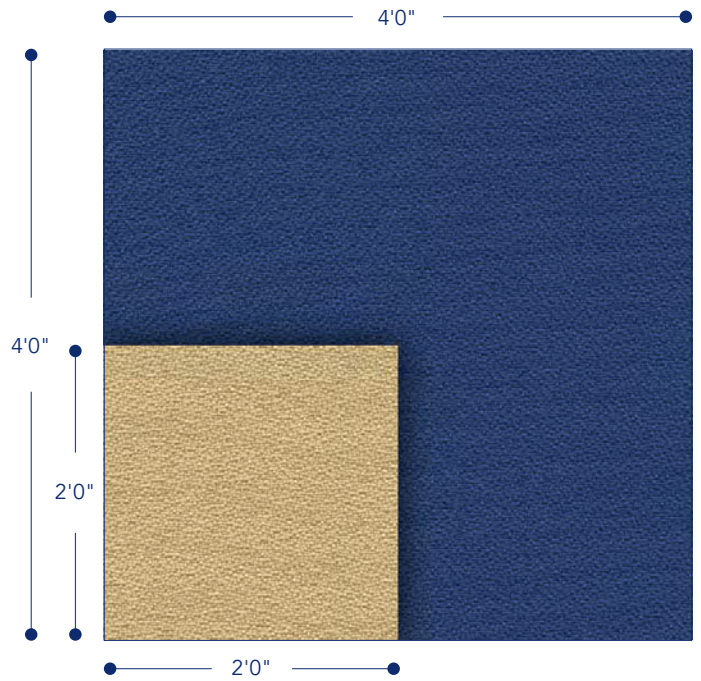
## CEILING CLOUD MIN. TO MAX. SIZE (Custom Sizes Available)

### Square & Rectangle Sizes:

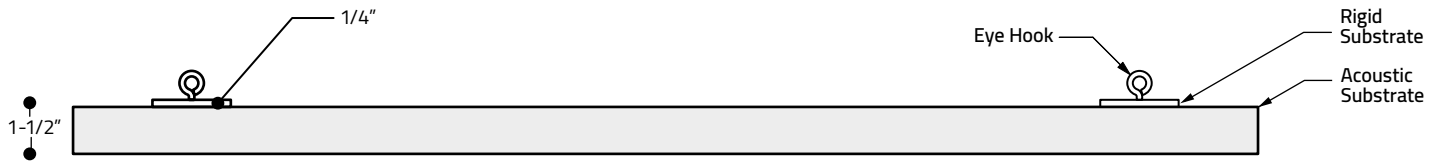
- 2'x2'
- 2'x3'
- 2'x4'
- 3'x3'
- 3'x4'
- 4'x4'

### Accents:

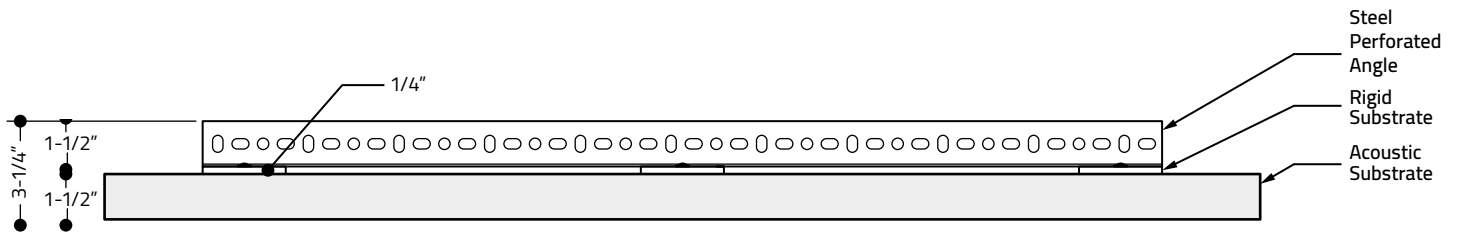
- 2', 3', & 4'



## ACOUSTIC CEILING CLOUD DETAIL (3'x3' and Smaller + Triangles):



## ACOUSTIC CEILING CLOUD DETAIL (3'x4' and Larger):

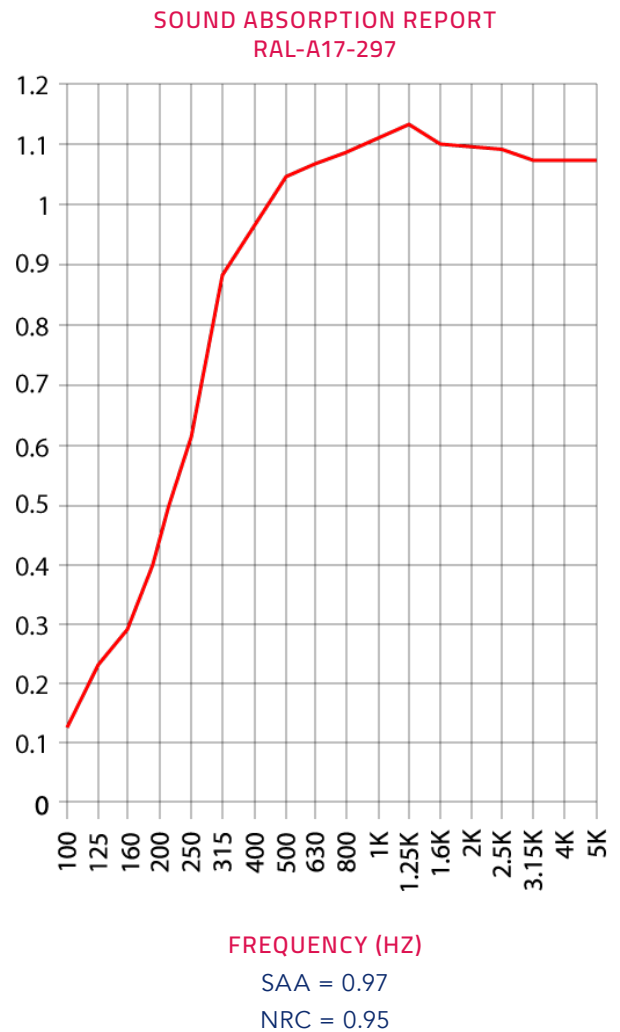


# ACOUSTIC CEILING CLOUDS: ACOUSTIC TESTING

## Acoustic Ceiling Cloud Test Report

The test report quotes the frequency dependent sound absorption data as well as the single number ratings. Data taken from Test Report RAL-A17-297 conducted by Riverbank Acoustical Laboratories. Complete test results are available upon request.

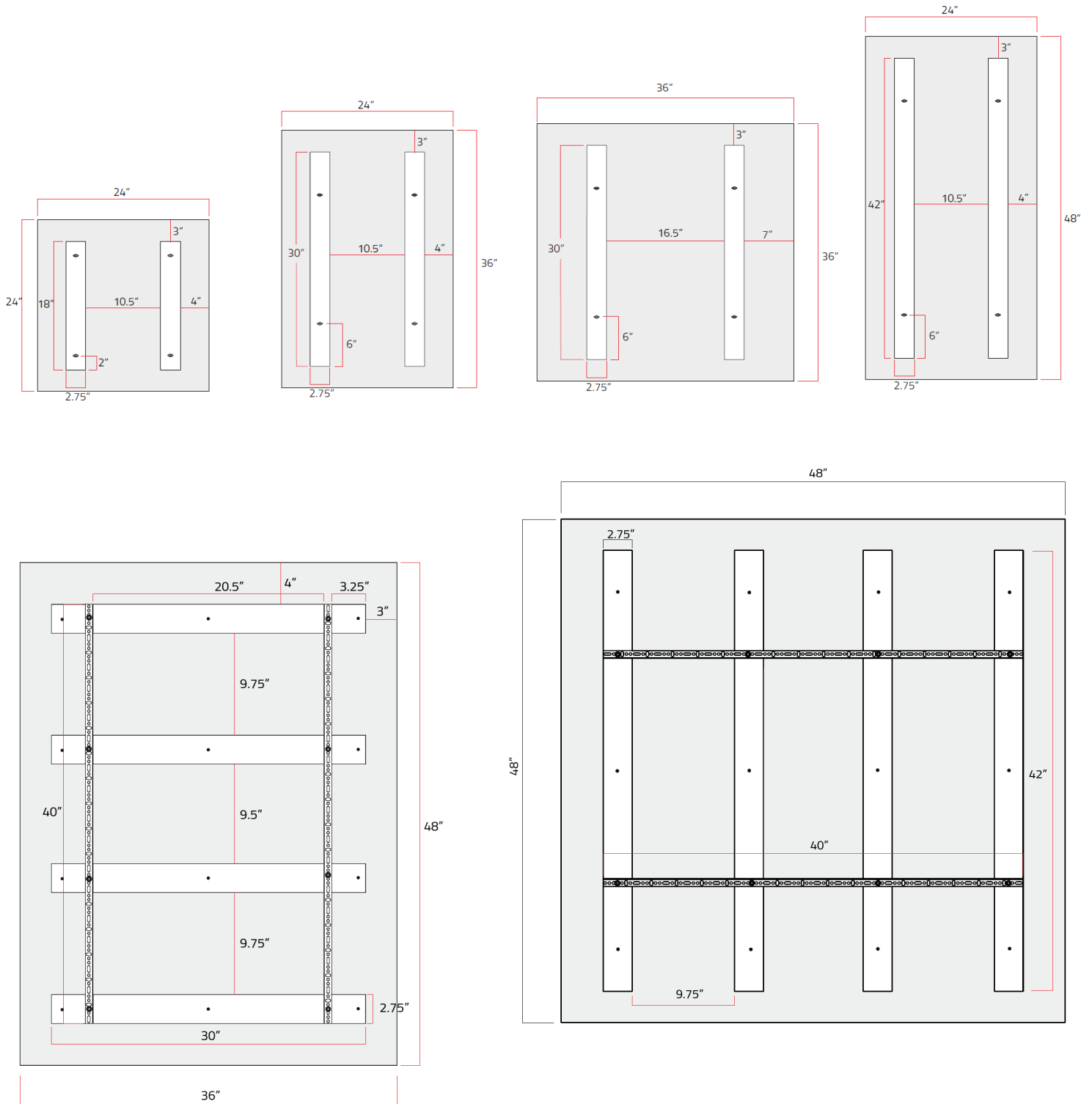
FREQUENCY (HZ)	ABSORPTION COEFFICIENT
100	0.13
125	0.23
160	0.29
200	0.43
250	0.62
315	0.87
400	0.96
500	1.04
630	1.07
800	1.09
1000	1.11
1250	1.14
1600	1.10
2000	1.10
2500	1.09
3150	1.06
4000	1.07
5000	1.06





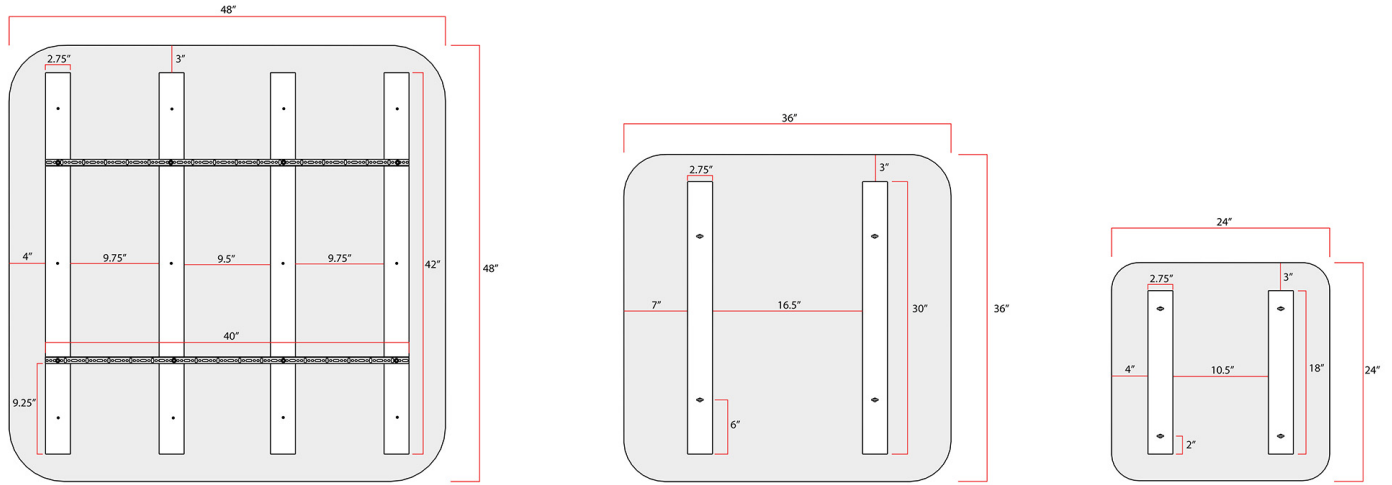
DIMENSIONAL  
LAYOUTS

# ACOUSTIC CEILING CLOUDS DIMENSIONS

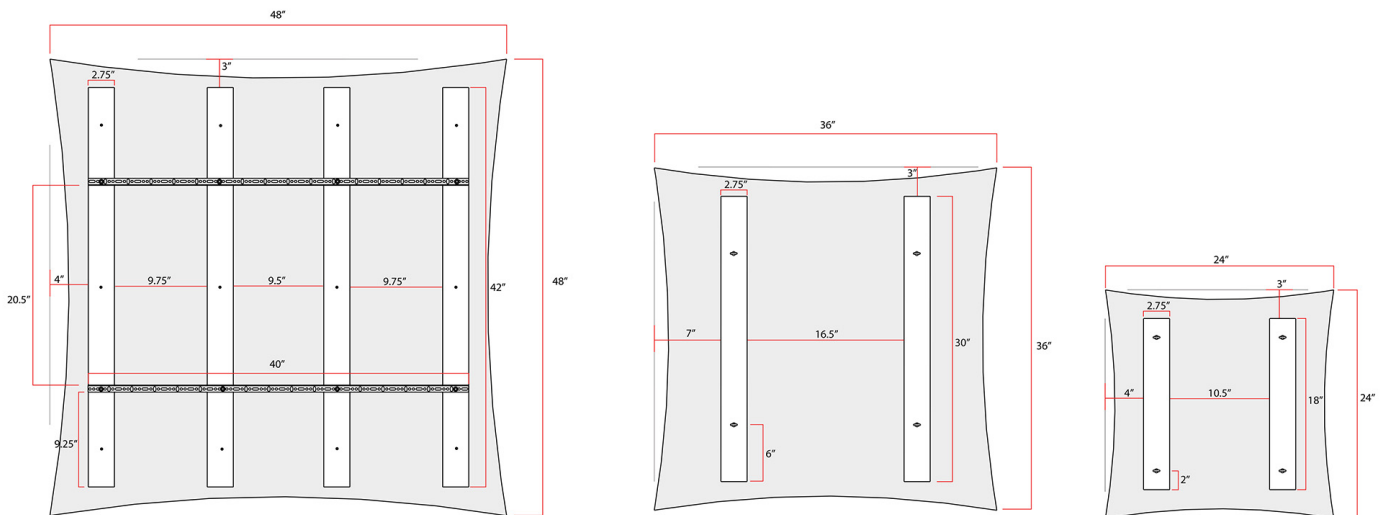


# ACCENT ACOUSTIC CEILING CLOUDS DIMENSIONS

## Rounded Square

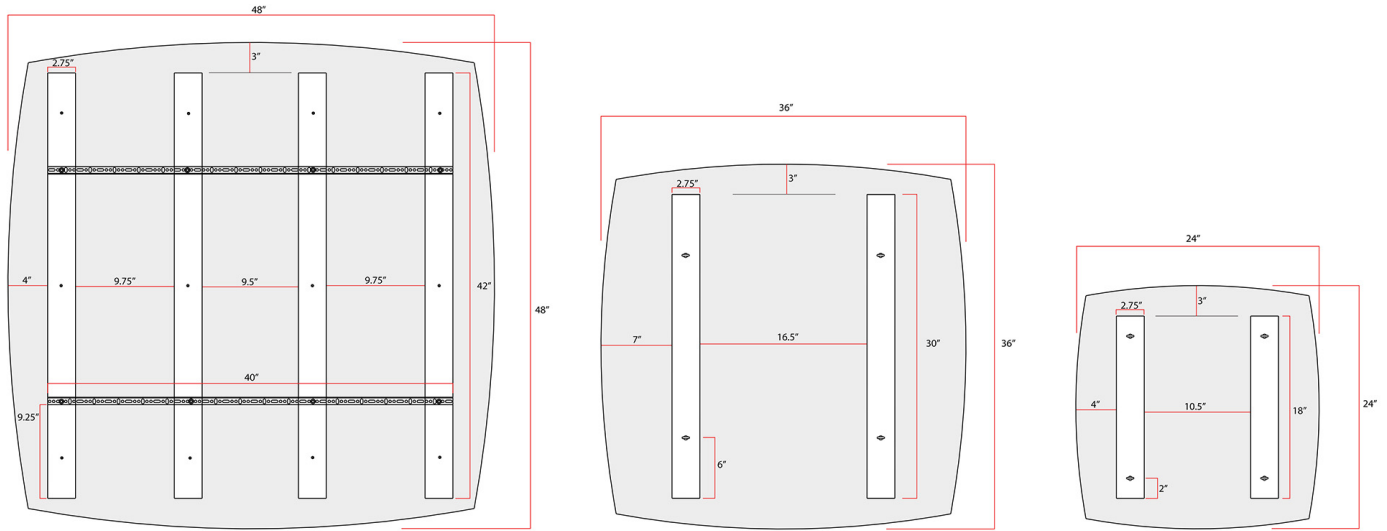


## Concave Square

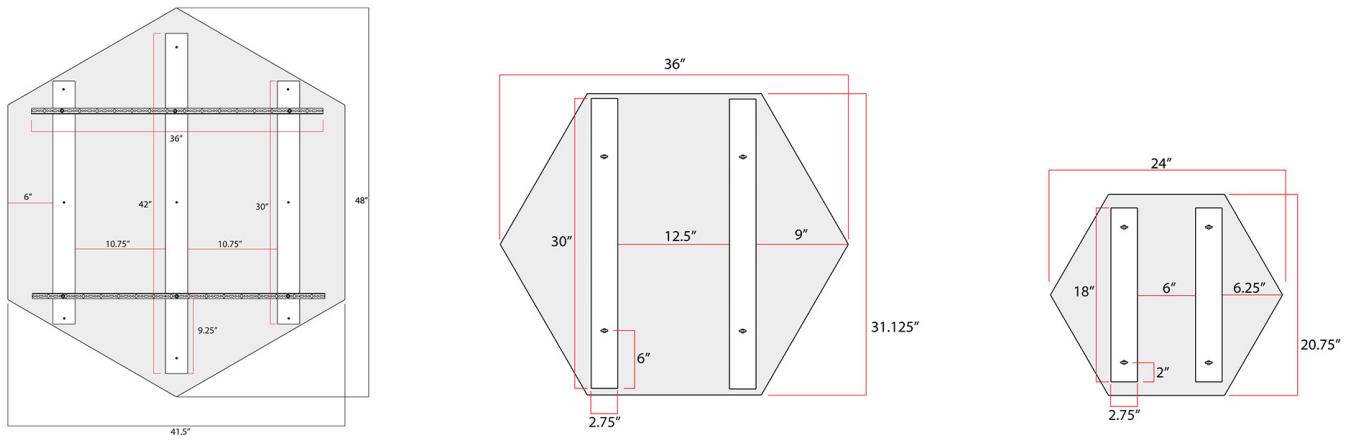


# ACCENT ACOUSTIC CEILING CLOUDS DIMENSIONS

## Convex Square

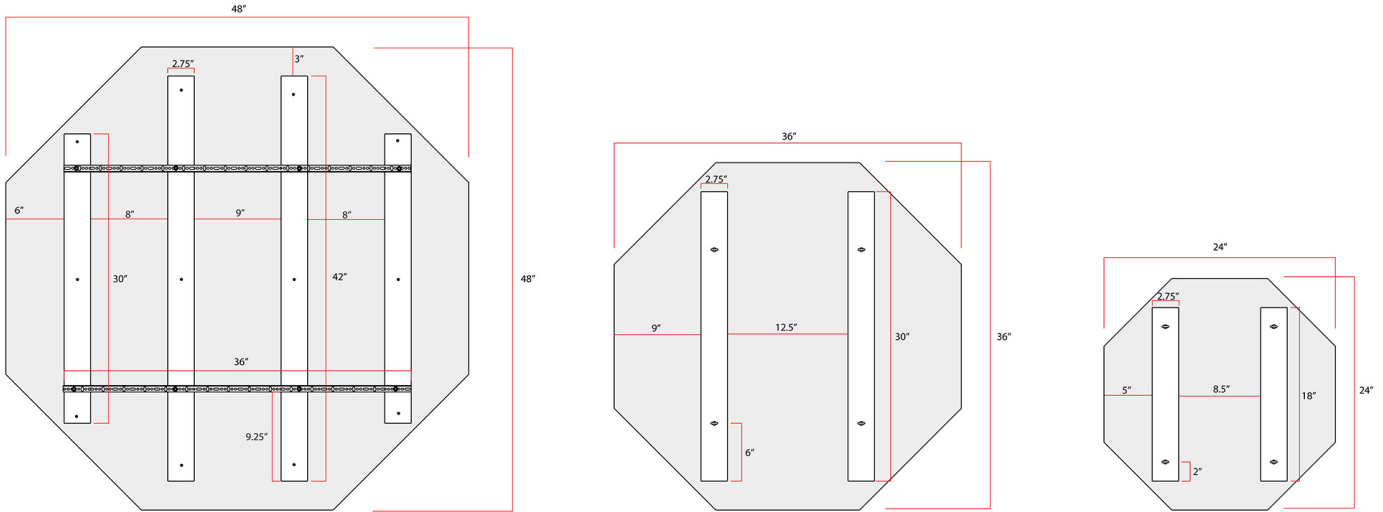


## Hexagon

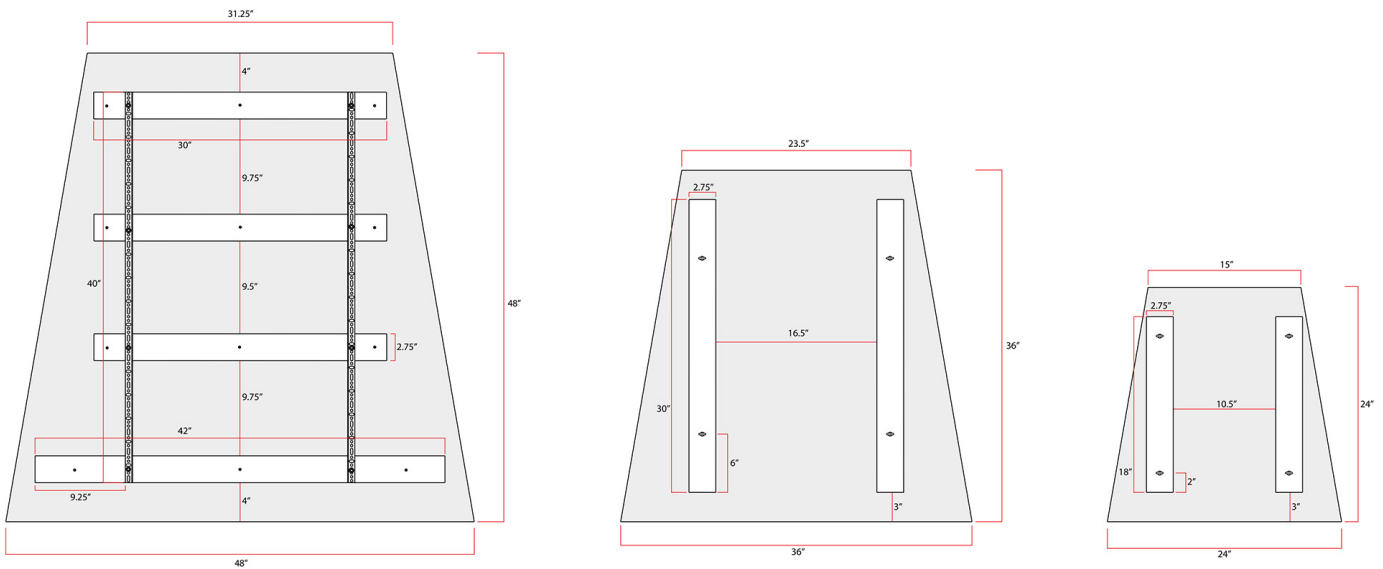


# ACCENT ACOUSTIC CEILING CLOUDS DIMENSIONS

## Octagon

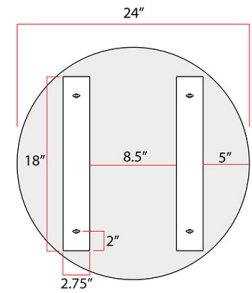
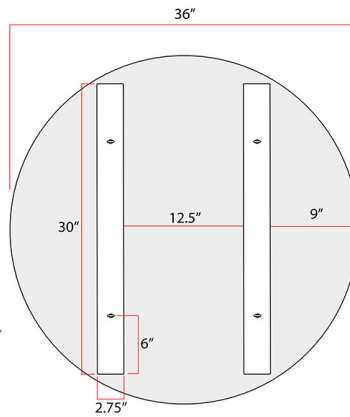
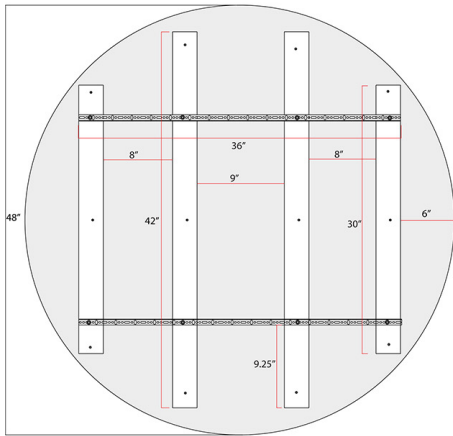


## Trapezoid

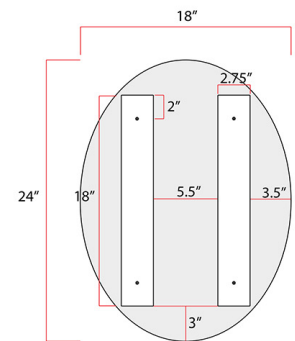
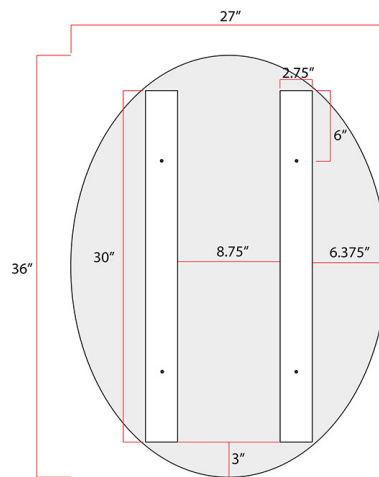
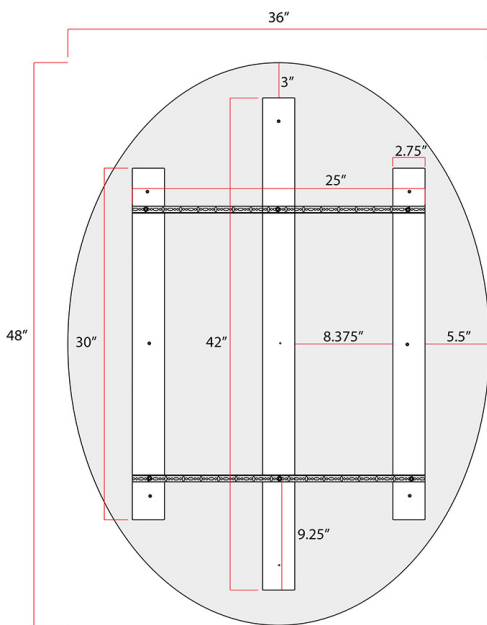


# ACCENT ACOUSTIC CEILING CLOUDS DIMENSIONS

## Circle



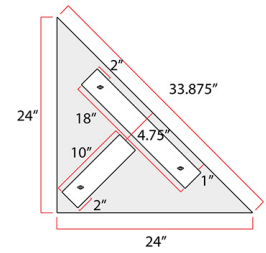
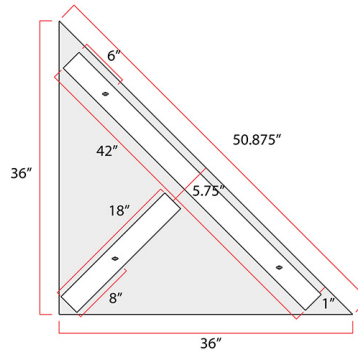
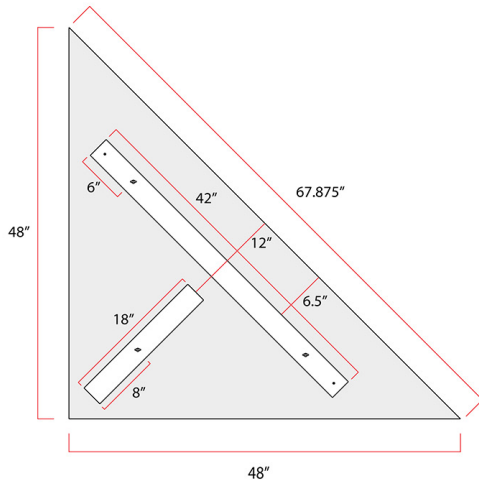
## Oval



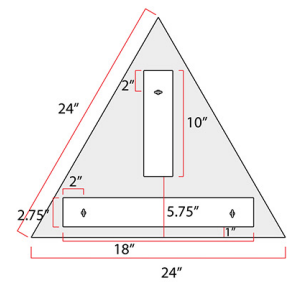
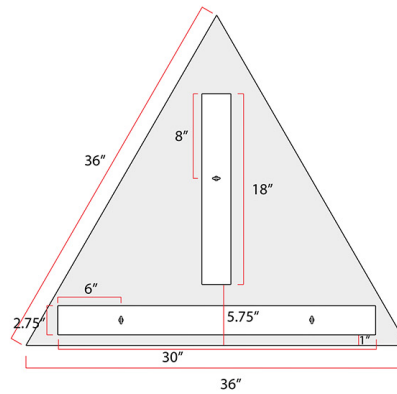
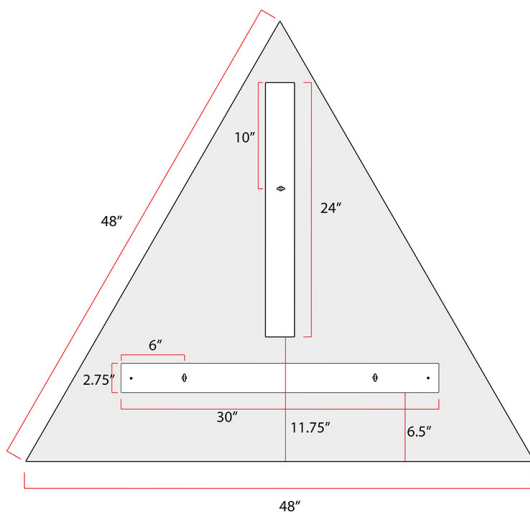


# ACCENT ACOUSTIC CEILING CLOUDS DIMENSIONS

## Right Triangle



## Triangle





**INSTALLATION  
INSTRUCTIONS**

# Ceiling Installation Instructions:

## AUDIMUTE ACOUSTIC CEILING BAFFLES

## AUDIMUTE ACOUSTIC CEILING CLOUDS

### Acoustic Ceiling Baffles:



### Acoustic Ceiling Clouds (3'x3' and Smaller):



### Instructions:

*To ensure proper installation, follow the instructions below and check building codes.*

1. Start screwing in the included Eye Hooks into the pre-drilled locations by hand, then use a 9/16" socket to finish screwing them in. **\*\*IMPORTANT\*\*** Be sure not to over-tighten.
2. Hang the Baffle or Cloud using hardware with load ratings twice that of the product's weight.

# Ceiling Installation Instructions:

## AUDIMUTE ACOUSTIC CEILING BAFFLES

## AUDIMUTE ACOUSTIC CEILING CLOUDS

### Acoustic Ceiling Clouds (3'x4' and Larger):



#### Tools Required:

- Power Drill w/ Adjustable Torque
- 3/8" Socket Drive
- 3/8" Socket

#### Included:

- Acoustic Cloud w/ Rigid Substrates
- 3/8" Drive Self-Tapping Screws
- Steel Perforated Angles

#### Instructions:

*To ensure proper installation, follow the instructions below and check building codes.*

1. Chuck the 3/8" socket and drive into drill. Set torque setting to middle of torque range.
2. Align and center Steel Perforated Angle with the locating notches in the structural backers.
3. Insert self-tapping screws through the Steel Perforated Angle using the power drill. **\*\*DO NOT\*\*** over-torque the screws; if over-torquing occurs, remove the screw and insert into a new location. **\*\*IMPORTANT\*\*** Set the torque setting to the middle of the torque range.
4. Hang the Cloud using hardware with load ratings twice that of the Cloud's weight.



**Mitch Zlotnik**  
Founder & President of Audimute

Our founder Mitch Zlotnik loved his drums and respected his neighbors. So he invented a versatile sound absorption solution a musician could afford and a neighbor would love. Today our invention, eco-C-tex® is the key ingredient in a versatile suite of sound absorption and sound proofing solutions. Proudly made from 100% recycled materials, Audimute products are revolutionizing the way people experience work, worship, entertainment, and their home.

---

1.866.505.MUTE  
sales@audimute.com  
9 am – 5 pm, Monday – Friday EST.